

VT8

MOBILE  
LIGHTING TOWER

**THE LAST WORD IN  
LIGHTING TOWER  
TECHNOLOGY**



**The VT8 is a mobile lighting tower with a vertical telescopic mast.**

The VT8 is a robust and powerful lighting tower, designed to give the optimum performance and light

coverage from 8 meter maximum height vertical telescopic mast.

Its 4x1000W metal halide lamps can illuminate an area of more than 4,000m<sup>2</sup> with an average 20 lux.

Based on customers' needs, the VT8 can be equipped with a 3 cylinder

Kubota or Kohler-Lombardini engine, working at 1500 or 1800rpm and is optimized to achieve high performance and long life.

The compact design of this lighting tower allows to load up to 14 units on a 40" container.

## Specifications

- Vertical mast
- Maximum height: 8m
- Galvanized telescopic mast sections
- 5 adjustable stabilizers
- Manual winch with auto-braking system
- Mast rotation through 340°
- Certified wind stability up to 110 Km/h
- Electrical coiled power cable with protective housing
- On/Off switch for each lamp
- 4 x 1000 W metal halide floodlights
- Forklift pockets
- Mounted on a site-tow single axle trailer
- 75 L metal fuel tank
- Central lifting hook
- Lockable doors
- Hour counter
- Series of alarms to prevent engine failures

## Performance

- Illuminated area 4,000m<sup>2</sup>
- Total lumen 360,000
- More than 40 hours of running time

## Generator

- Type Synchronous
- Frequency 50 or 60 Hz
- Degree of protection IP23
- Power 8kVA single phase

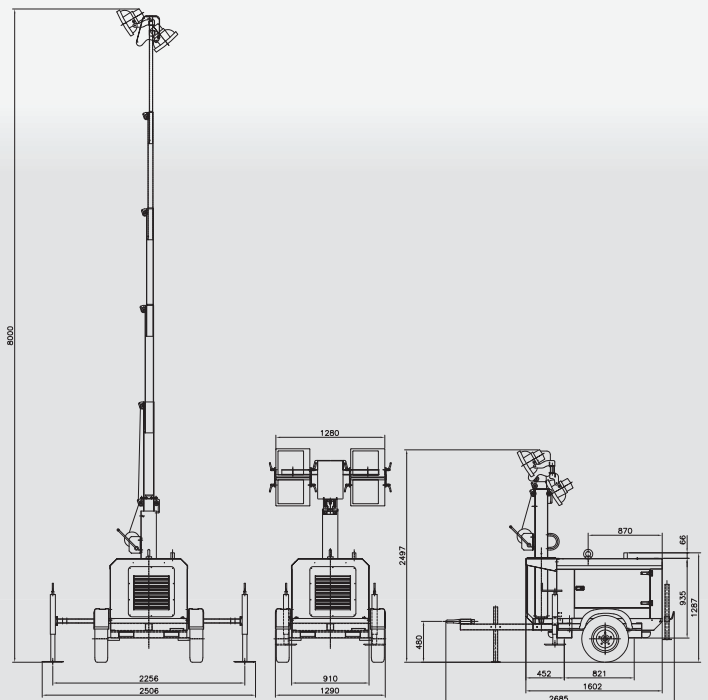
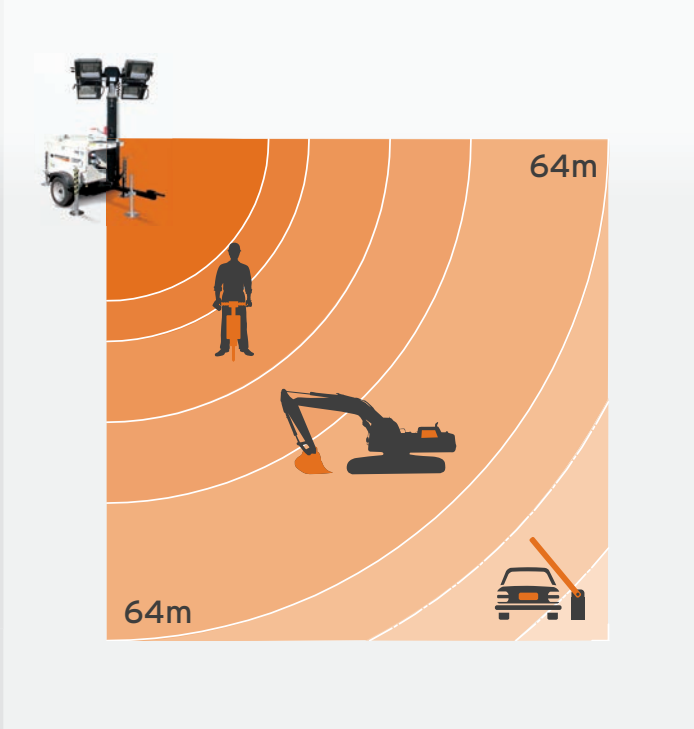
## Engine

- Kubota D1105
- 13.6 Hp
- 3 cyl. – 1028 displacement
- Water cooled
- Diesel fuel
- Rpm: 1500 (50 Hz) or 1800 (60 Hz)

## Options

Available with Kohler-Lombardini FOCS LDW1003 engine

## VT8 4 x 1000W MH 8m Illuminated area 4000 m<sup>2</sup>



## Generac Mobile Products Srl

Via Stazione, 3 bis, 27030 Villanova d'Ardenghi (PV), Italia

Tel +39 0382 567 011 Fax +39 0382 400 247

Email info@towerlight.com

www.towerlight.com

DISTRIBUTOR: